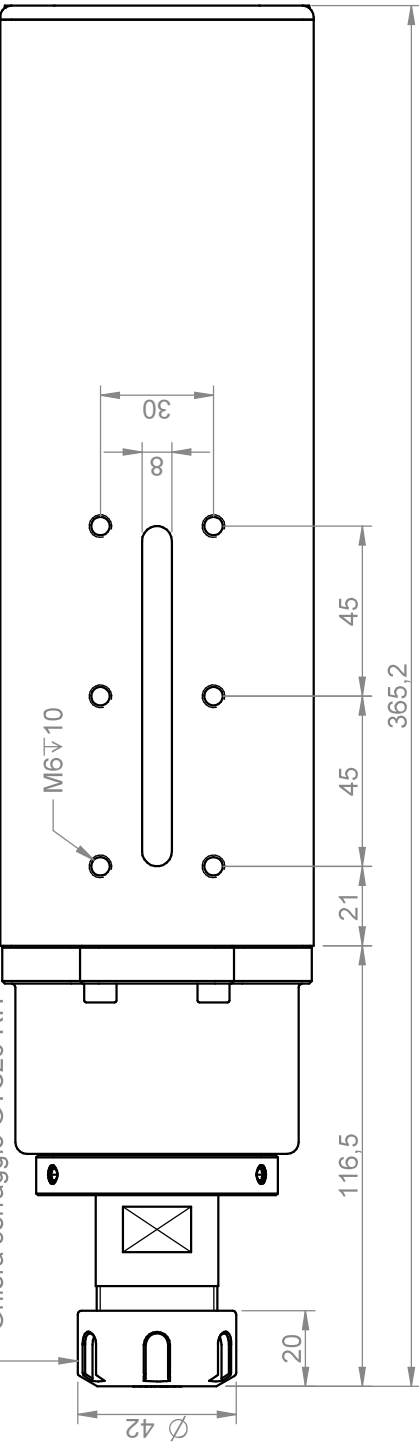


Ghiera serraggio GTS25 RH



M6 ∇ 10

\varnothing 42

20

21

45

365,2

M32 x 1.5 4h RH



143

SW 27mm

M6 ∇ 8 - ON BOTH SIDES

40

90

\varnothing 75

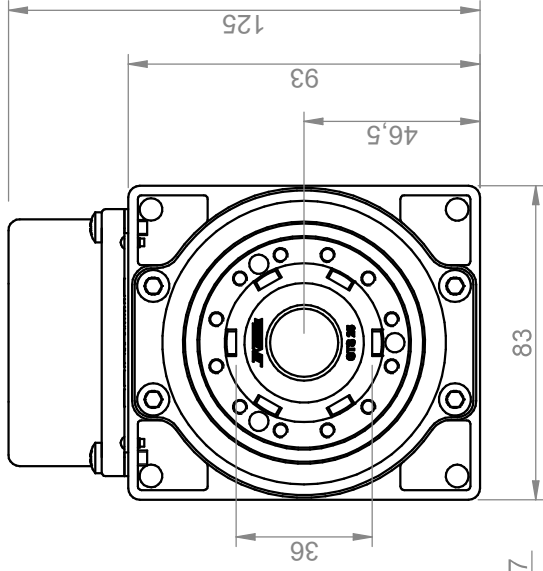
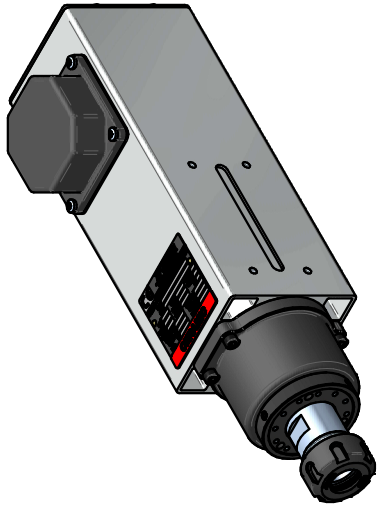
15

55

245

354

3,7



Power [kW]		2.7	Duty Cycle	S1	Base speed [rpm]	18000	Base freq. [Hz]	300	Base voltage Δ [V]	220	Protection	IP54	Ins. Cl.	F
Min speed [rpm]		9000	Max speed [rpm]	24000	Max freq. [Hz]	400	Absorb. Δ [A]	12.2	Absorb. Y [A]	7.0	Part number on nameplate COM41470480			
Balancing: G2.5 - ISO 1940 @ maximum motor speed		Balancing type		cool type		full key	cool type	half key	Pesco / weight		8.88 kg			
Tolleranze non quotate / unlisted tollerances: \pm 0.5mm		Tolleranze non quotate / unlisted tollerances: \pm 0.5mm		cool type		$\nabla = 0.8 \nabla$	$\nabla = 3.2 \nabla$	$\nabla = 12.5 \nabla$	Title		4147-D-DB-P-ER25-HY-RH			
Smoussi non quotate / unlisted chamfers: \pm 0.5mm		Smoussi non quotate / unlisted chamfers: \pm 0.5mm		signature		date		Customer		Catalogo				
rev. n°		description		00		Emissione		D. Bottarel		Drawing code				
drawn - date		approved - date		checked - date		sostituisce il		sostituito dal		COM41470480				
D. Bottarel - 17/03/2015		S. Perli - 17/03/2015		S. Perli - 17/03/2015		S. Perli - 17/03/2015		D. Bottarel		Drawing n°				
17/03/2015		17/03/2015		17/03/2015		17/03/2015		17/03/2015		3576				
17/03/2015		17/03/2015		17/03/2015		17/03/2015		17/03/2015		foglio / sheet				
17/03/2015		17/03/2015		17/03/2015		17/03/2015		17/03/2015		1 / 1				
17/03/2015		17/03/2015		17/03/2015		17/03/2015		17/03/2015		scala				
17/03/2015		17/03/2015		17/03/2015		17/03/2015		17/03/2015		1:2				
17/03/2015		17/03/2015		17/03/2015		17/03/2015		17/03/2015		A4				